



X Twin

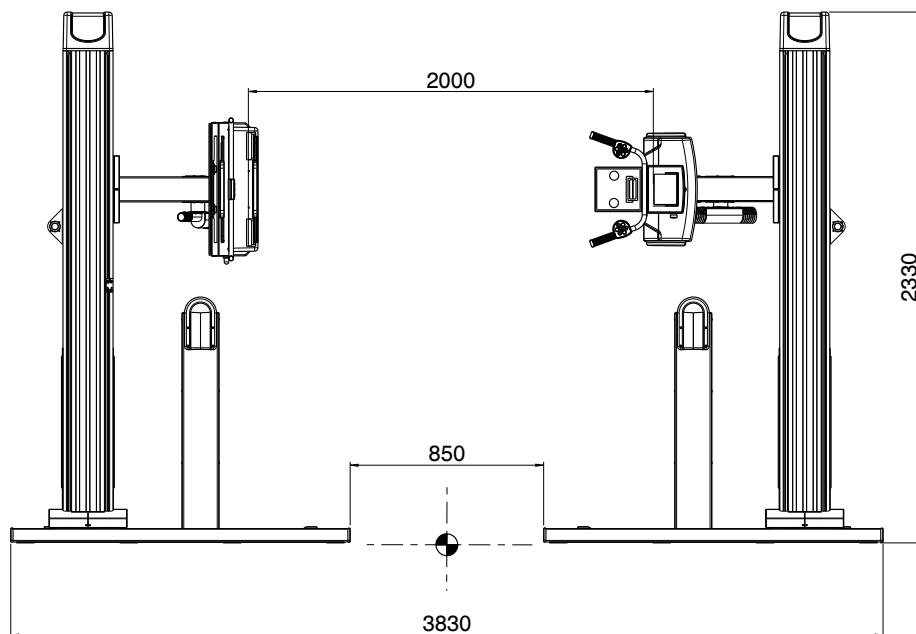
X Twin

X Twin

X Twin is a direct digital radiography system for obtaining images of patients in sitting, lying and standing positions.

The control panel on the X-ray tube has an informative touch-screen. It includes a collimator and optional a laser sight and a measuring chamber for the dose area product. The modern detector enables low-dose examinations. It has an automatic, motorized tracking control.

. X Twin



Technical Data

2330 mm	Total height
2500 mm	Minimum Ceiling height
+/- 90°	X-Ray tube rotation
+/- 90°	Detector rotation around its own axis
Ja / Yes	Tracking
350 mm	Lowest center position of detector at horizontal beam
1900 mm	Highest center position of detector at horizontal beam
1600 mm	Vertical Movement Range of X-Ray Tube
+/- 45°	Oblique exposures
motorized	SID adjustment
Ja / Yes	Bed exposures