

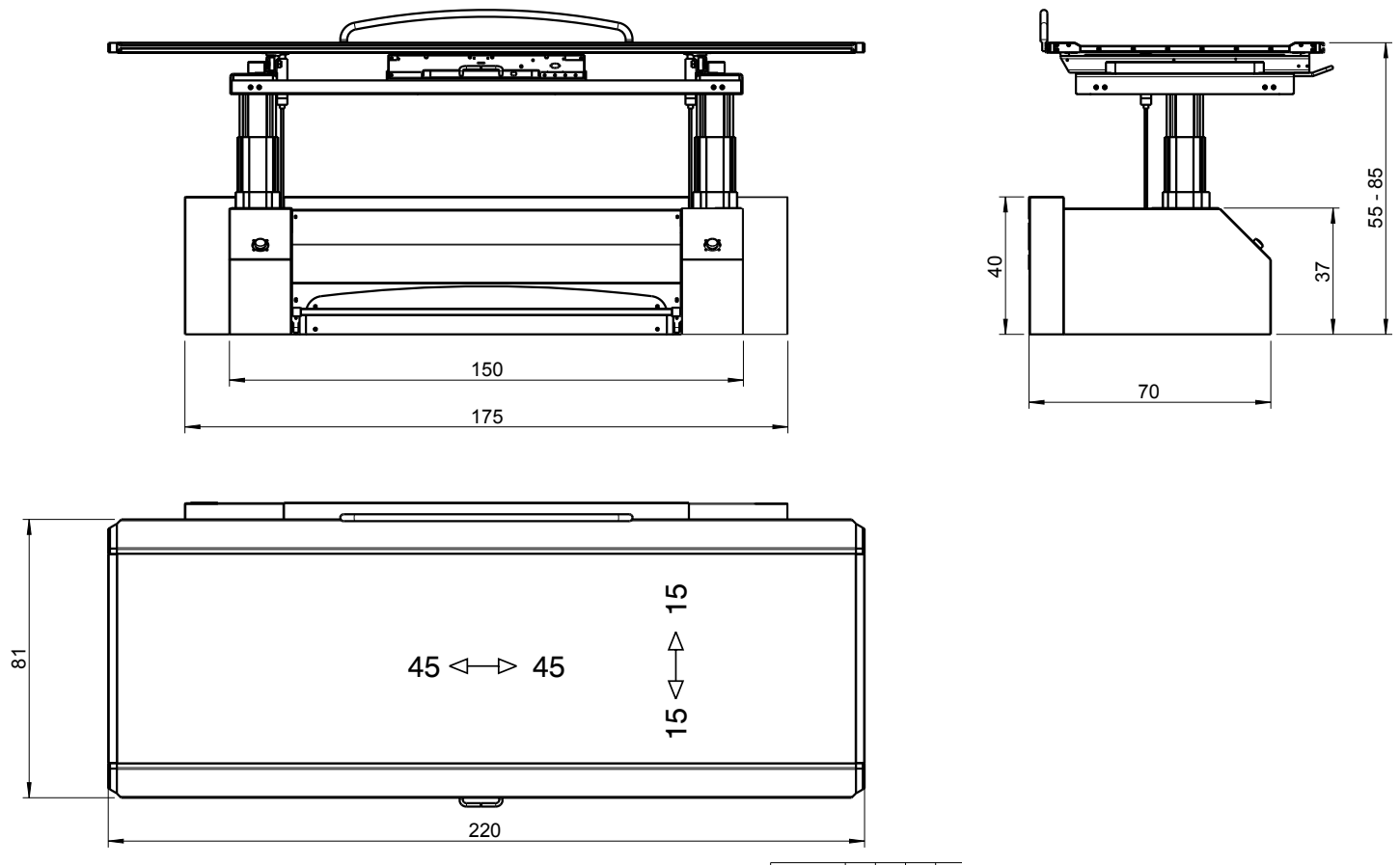
X Fit T

X Fit T

Examination table with floating table top and electromagnetic brakes. Motorized elevation for optimal patient positioning.

Foot switches for the brakes and elevation.

- Solid high reliable telescope column construction
- Prepared for installation of Bucky's or flat panel detectors



Technical Data

Patient Table

700 mm	Comfortable table height
550 – 850 mm	optional height adjustment
1880 x 610 mm	Useful radiolucent area
2200 mm	Table top length
810 mm	Table top width
+/- 450 mm	Table top longitudinal movement
+/- 145 mm	Table top lateral movement
270 – 1900	Horizontal central beam above floor