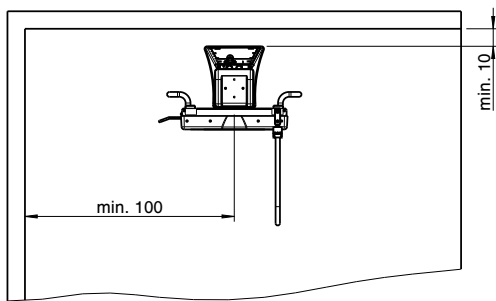
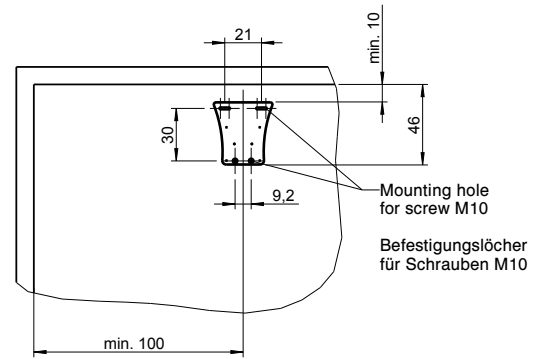
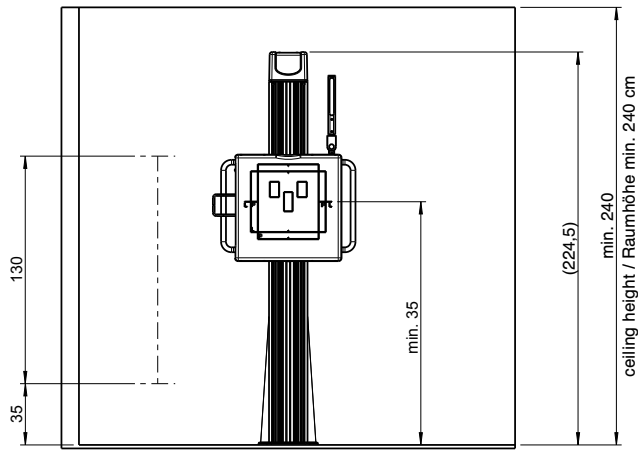


X Fit S

X Fit S

Floor mounted vertical Stand prepared for adaption of Buck's or flat panel detectors with counterbalanced vertical carriage and with electromagnetic brakes for optimal patient positioning.



Notes:
measures in cm

Hinweis:
Maße in cm

()

2245 mm

350 mm

Technical Data

Vertical Stand

Total height

Lowest center position of detector
at horizontal beam