

X Fit

X Fit

X Fit

The X Fit System is specially designed for small rooms and consists of a fix table with floating table top with mechanical brakes. A X-Ray tube column with motorized longitudinal movement and a fixed wall stand.

High user friendly by foot switch controls table top brakes as well as Touch Display for control.

The display of the command Arms shows SID and projection angles clearly.

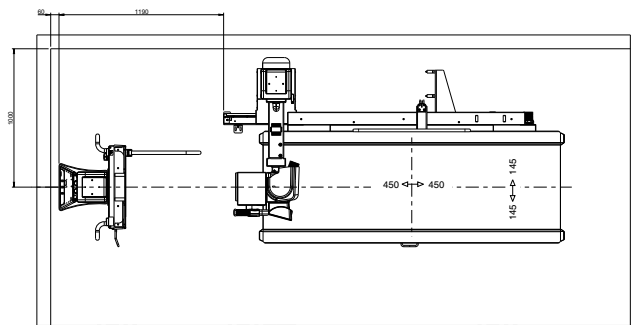
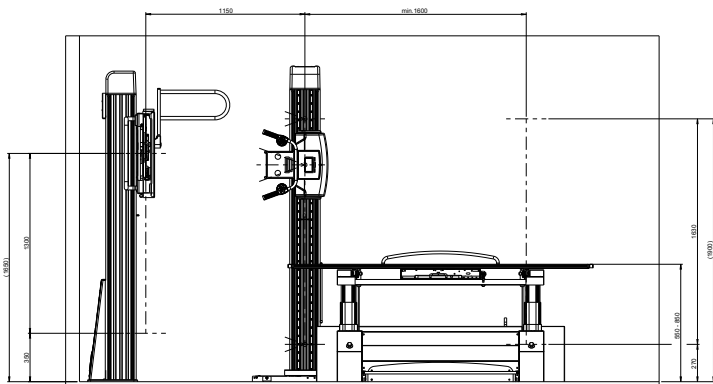
System integrated power block consisting of Generator, tube, collimator and DAP Measuring chamber.

The X Fit System is prepared for installation of Bucky's or Flat Panel Detectors.

X Fit

DAP.
Bucky

Digital Flat Panel.



4 m

cubic measure

Patient Table

- 700 mm Comfortable table height
- 550 – 850 mm optional height adjustment
- 1880 x 610 mm Useful radiolucent area
- 2200 mm Table top length
- 810 mm Table top width
- +/- 450 mm Table top longitudinal movement
- +/- 140 mm Table top lateral movement
- 270 – 1900 Horizontal central beam above floor

Vertical Stand

- 2245 mm Total height
- 350 – 1650 mm Vertical Movement central beam

Tube Stand

- 2280 mm Total height
- +/- 120° Tube rotation
- 1600 mm Horizontal movement
- 270 – 1900 mm Vertical movement

Powerblock

- Generator high frequency
- High power X-Ray Tube
- Manual collimator